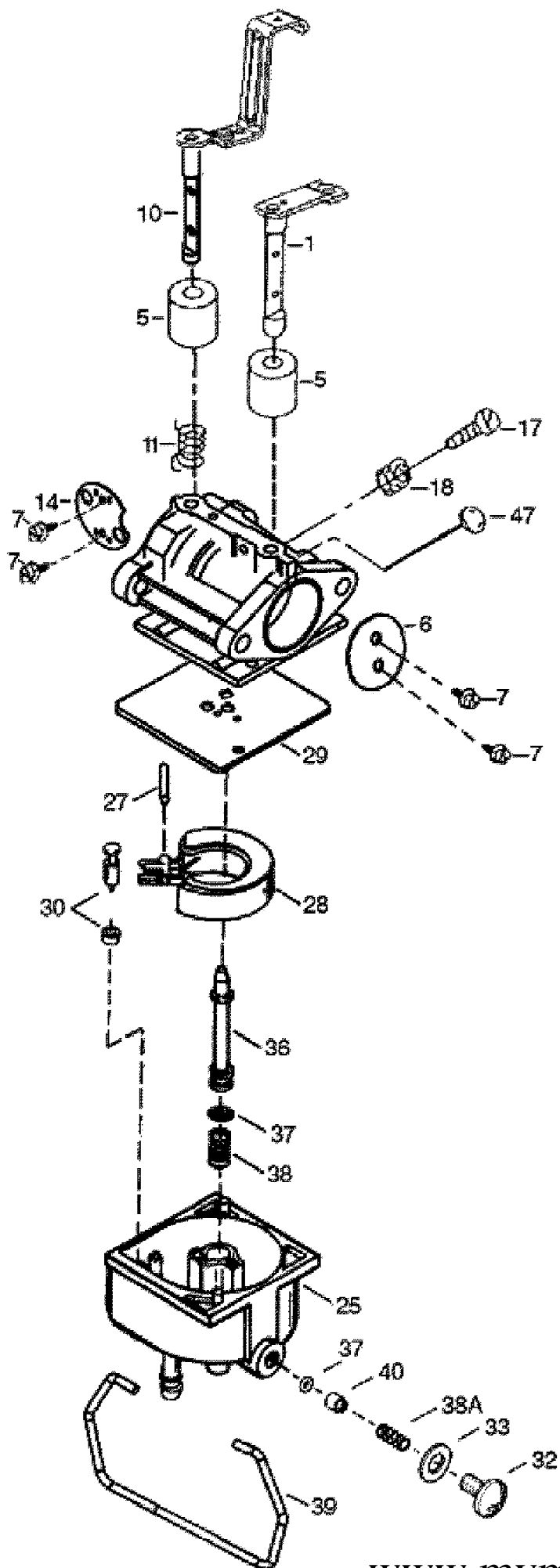


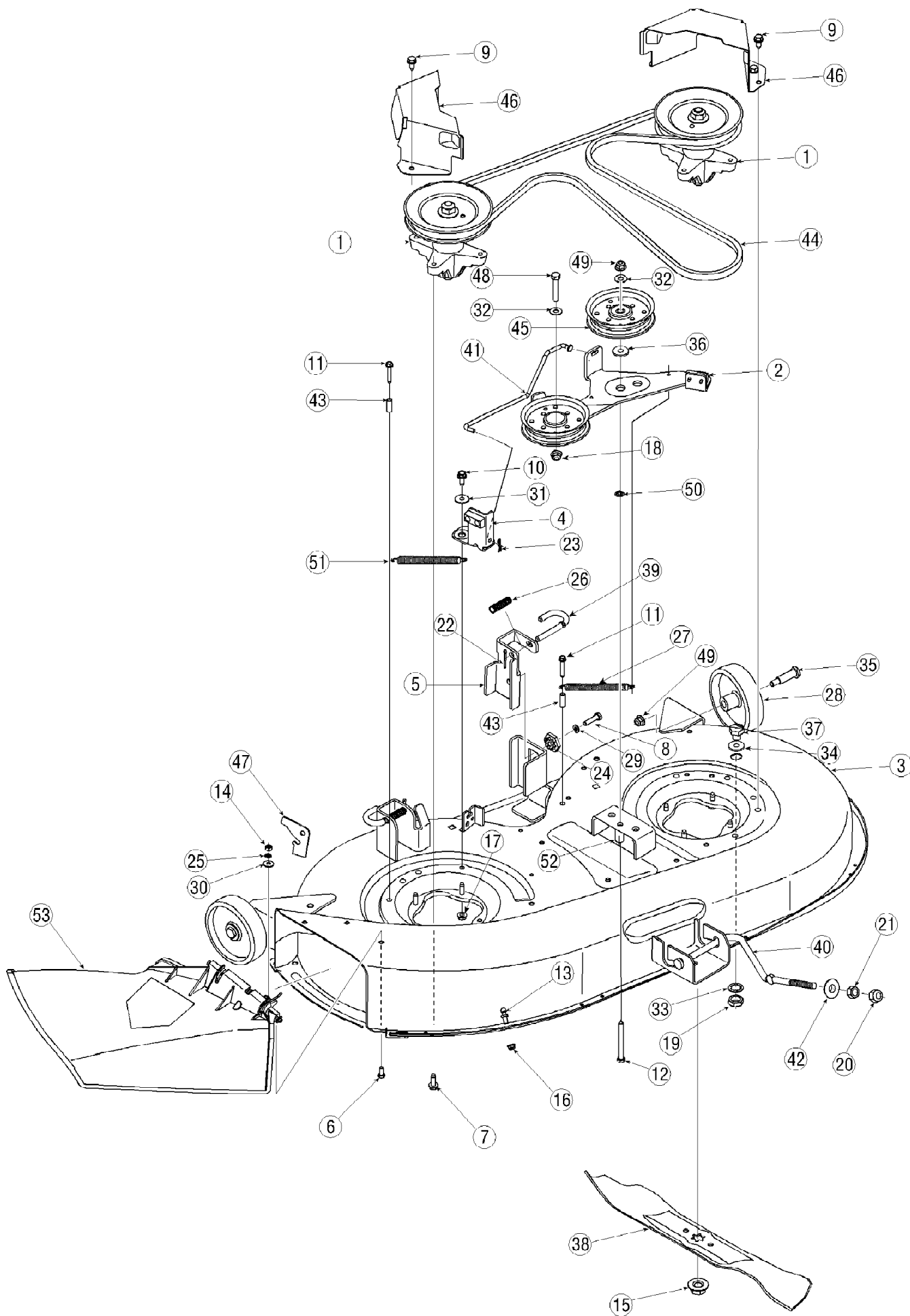
13A4616G790 LT-942H (2005)
Carburetor



13A4616G790 LT-942H (2005)
Carburetor

Page 2 of 27

| Ref # | Part Number | Qty | S/P/F | Description |
|-------|-------------|-----|-------|---|
| | TC-640221 | 1 | /P | Carburetor (Incl. 184 of Engine Parts List) |
| 1 | TC-640216 | 1 | | Throttle Shaft & Lever Assembly |
| 5 | TC-640037 | 1 | | Dust Seal |
| 6 | TC-640038 | 1 | | Throttle Shutter |
| 7 | TC-650506 | 1 | | Throttle & Choke Shutter Screws |
| 10 | TC-640217 | 1 | | Choke Shaft & Lever Assembly |
| 11 | TC-632785 | 1 | | Choke Return Spring |
| 14 | TC-640177 | 1 | | Choke Shutter |
| 17 | TC-651025 | 1 | | Throttle Crack Screw/Idle Speed Screw |
| 18 | TC-630766 | 1 | | Tension Spring |
| 25 | TC-640220 | 1 | | Float Bowl Assembly |
| 25A | TC-730649 | 1 | /P | Float Bowl Repair Kit |
| 27 | TC-632544 | 1 | | Float Shaft |
| 28 | TC-632543 | 1 | /P | Float |
| 29 | TC-640047 | 1 | /P | Float Bowl to Body Gasket |
| 30 | TC-632709 | 1 | /P | Inlet Needle & Seat |
| 32 | TC-640041 | 1 | | Bowl Drain Screw |
| 33 | TC-640042 | 1 | | Bowl Drain Washer |
| 36 | TC-640067 | 1 | | Main Nozzle Tube |
| 37 | TC-632547 | 1 | | O-ring |
| 38 | TC-632545 | 1 | /P | Spring, Main Nozzle Tube |
| 38A | TC-36918 | 1 | | Spring |
| 39 | TC-640218A | 1 | | Float Bowl Retainer |
| 40 | TC-640219 | 1 | | Main Fuel Jet |
| 47 | TC-630748 | 1 | | Welch Plug, Idle Mixing Well |



13A4616G790 LT-942H (2005)
Deck Assembly 42 Inch

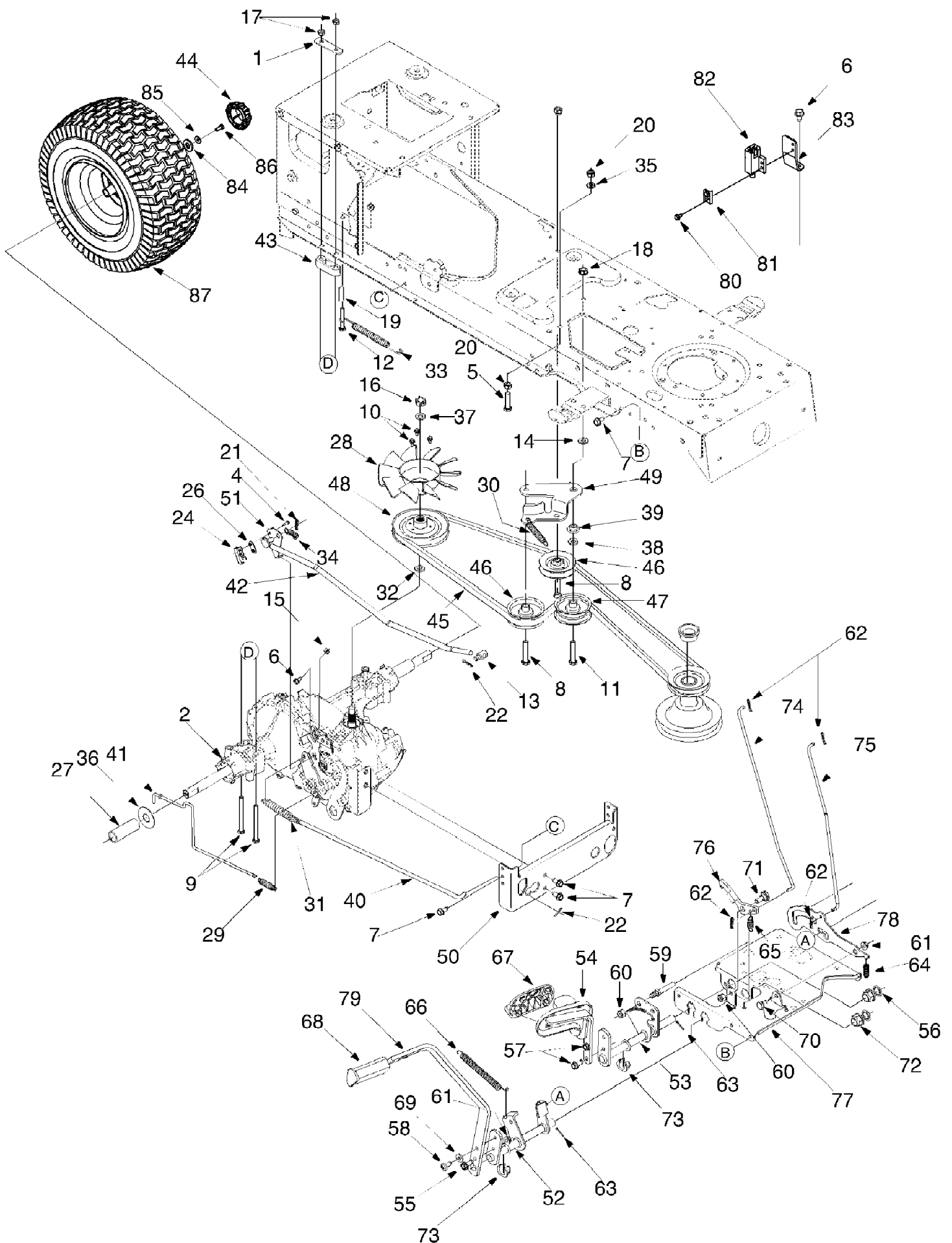
Page 4 of 27

| Ref # | Part Number | Qty | S/P/F | Description |
|-------|-------------|-----|-------|--------------------------------------|
| 1 | 918-0624 | 1 | S | Pulley/ Spindle Assembly |
| 1 | 712-0417A | 1 | /P | Flange Nut:5/8-18 Not shown |
| 1 | 738-1010A | 1 | /P | Spindel ShaftL:5.75 LG. Not shown |
| 1 | 941-0919 | 1 | /P | Ball Bearing:20x47x14:62 Not shown |
| 1 | 748-0433 | 1 | | Spacer:.820 x 1.15 x .730 Not shown |
| 1 | 750-1000 | 1 | | Spacer:.8 x 1.1 x 1.322 Not shown |
| 1 | 956-1227 | 1 | /P | Deck Pulley:6.3 DIA Not shown |
| 2 | 683-04138 | 1 | S | Deck Brake Assembly |
| 3 | 683-04162 | 1 | S | 42" Deck Assembly |
| 4 | 683-04167 | 1 | S | Deck Brake Assembly |
| 5 | 683-0254B | 1 | /P | Deck Hanger Bracket Assembly |
| 6 | 710-0751 | 1 | /P | Screw, 1/4-20 x.620 |
| 7 | 710-0650 | 1 | /P | Screw, 5/16-18 x.875 |
| 8 | 710-0528 | 1 | /P | Screw, 5/16-18 x 1.25 |
| 9 | 710-0726 | 1 | /P | Screw, 5/16-12 x.750 |
| 10 | 710-1260A | 1 | /P | Screw, 5/16-18 x.750 |
| 11 | 710-0778 | 1 | /P | Screw, 1/4-20 x 1.500 |
| 12 | 710-3085 | 1 | /P | Screw, 3/8-16 x 3.50 |
| 13 | 711-04069 | 1 | S | Grass catcher Pin |
| 14 | 712-3006 | 1 | /P | Hex Nut, 1/4-20 |
| 15 | 712-0417A | 1 | /P | Flange Nut, 5/8-18 |
| 16 | 712-04064 | 1 | /P | Flange Lock Nut, 1/4-20 |
| 17 | 712-04063 | 1 | /P | Flange Lock Nut, 5/16-18 |
| 18 | 712-04065 | 1 | /P | Flange Lock Nut, 3/8-16 |
| 19 | 712-0641 | 1 | S | Hex Nut, M16-1.5 |
| 20 | 712-3083 | 1 | /P | Hex Lock Nut, 1/2-13 |
| 21 | 712-0206 | 1 | S | Hex Nut, 1/2-13 |
| 22 | 714-0470 | 1 | S | Cotter Pin, 1/8 x 1.25 |
| 23 | 714-0104 | 1 | S | Cotter Pin,.072 Dia. x 1.13 Lg. |
| 24 | 717-04074 | 1 | S | Deck Adjustment Gear |
| 25 | 726-0233 | 1 | /P | Push Nut,.25 ID x.50 OD |
| 26 | 732-0306A | 1 | S | Compression Spring,.531 OD x 1. |
| 27 | 732-0308A | 1 | /P | Extension Spring,.50 Dia. x 6.37 Lg. |
| 28 | 734-0973 | 1 | /P | Deck Wheel |
| 29 | 736-0119 | 1 | S | Lock Washer, 5/16 |
| 30 | 736-0270 | 1 | /P | Bell Washer,.265 x.75 x.062 |
| 31 | 736-0289 | 1 | S | Shoulder Bushing,.320 ID x.135 Lg. |
| 32 | 736-0267 | 1 | S | Flat Washer,.385 x.87 x.06 |
| 33 | 736-0225 | 1 | /P | Lock Washer, 5/8 |
| 34 | 736-0187 | 1 | /P | Flat Washer,.64 x 1.24 x.06 |
| 35 | 738-0373 | 1 | S | Shoulder Screw,.498 x 1.53 x 3/8-16 |
| 36 | 738-04162 | 1 | S | Shoulder Spacer,.8540 x.200 |
| 37 | 738-04146 | 1 | | Plug |
| 38 | 742-0616A | 1 | S | Blade, 21.23", Star 3-in-One |
| 39 | 747-1116 | 1 | /P | Deck Release Handle Rod |
| 40 | 747-04269A | 1 | /P | Front Deck Adjustment Rod |
| 41 | 747-04379 | 1 | S | Brake Control Rod |
| 42 | 748-04069 | 1 | | Deck Lift Pivot Cup |
| 43 | 750-0566A | 1 | /P | Spacer,.260 x.372 x 1.030 Lg. |
| 44 | 754-04060B | 1 | S | V-Belt, 96.3 Lg. |
| 45 | 756-04129 | 1 | S | Idler Pulley, 4.25" Dia. |
| 46 | 783-04327 | 1 | | Belt Cover |
| 47 | N/A | | | |

13A4616G790 LT-942H (2005)
Deck Assembly 42 Inch

Page 5 of 27

| Ref # | Part Number | Qty | S/P/F | Description |
|-------|-------------|-----|-------|---------------------------------------|
| 48 | 710-3144 | 1 | /P | Screw, 3/8-16 x 2.00 |
| 49 | 712-0431 | 1 | S | Flange Lock Nut, 3/8-16 |
| 50 | 712-0229 | 1 | | Push Nut, 3/8 |
| 51 | 732-04287 | 1 | | Extension Spring,.500 Dia. x 6.375 Lg |
| 52 | 750-04446 | 1 | | Spacer, 3/8 ID x.68 OD x 1.46 Lg |
| 53 | 731-1032B | 1 | S | Discharge Chute |



13A4616G790 LT-942H (2005)
Drive & Rear Wheels

Page 7 of 27

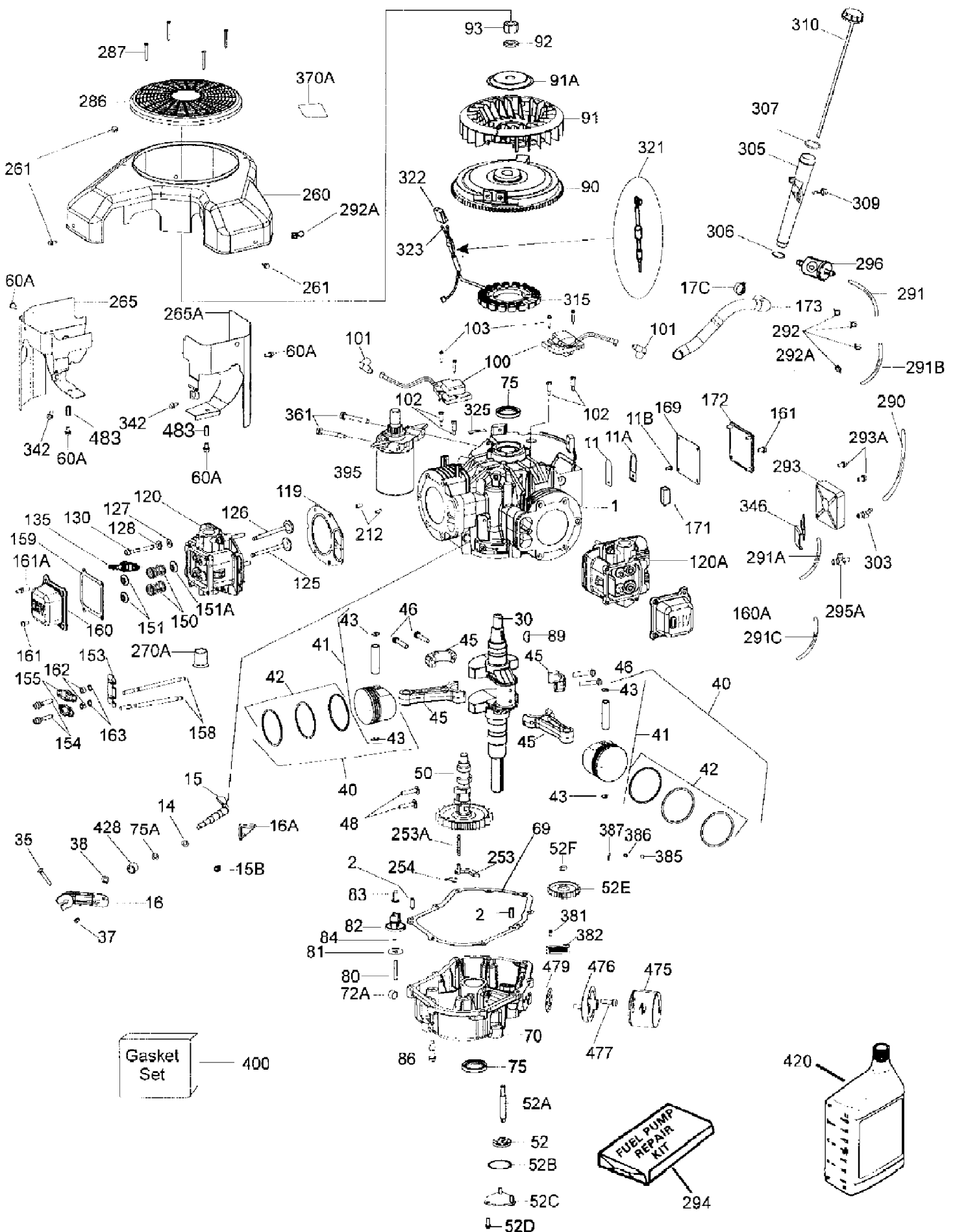
| Ref # | Part Number | Qty | S/P/F | Description |
|-------|-------------|-----|-------|-------------------------------|
| 1 | 17840 | 1 | S | Transmission Mounting Bracket |
| 2 | 618-0319 | 1 | S | Hydrostatic Transmission |
| 3 | 629-0949A | 1 | | Harness Assembly (Not Shown) |
| 4 | 710-0227 | 1 | /P | AB Screw #8-18 x 0.5 |
| 5 | 710-0344 | 1 | /P | Hex Bolt 3/8-16 x 1.5 |
| 6 | 710-0599 | 1 | /P | TT Screw 1/4-20 x 0.5 |
| 7 | 710-0726 | 1 | /P | AB Screw 5/16-12 x 0.75 |
| 8 | 710-0502A | 1 | /P | TT Sems Screw 3/8-16 x 1.250 |
| 9 | 710-1266 | 1 | /P | Hex Bolt 5/16-18 x 3.5 |
| 10 | 710-3007 | 1 | /P | Carriage Screw |
| 11 | 710-3011 | 1 | /P | Hex Bolt 3/8-16 x 2.25 |
| 12 | 710-0809 | 1 | | Screw, 1/4-20 x 1.250 |
| 13 | 711-0832 | 1 | S | Ferrule |
| 14 | 736-0320 | 1 | /P | Flat Washer,.38 x 1.38 x.125 |
| 15 | 712-0291 | 1 | S | Hex Lock Nut 1/4-20 |
| 16 | 712-3066 | 1 | S | Hex Nut, 1/2-20 |
| 17 | 712-04063 | 1 | /P | Flange Lock Nut, 5/16-18 |
| 18 | 712-0431 | 1 | S | Flanged Lock Nut 3/8-16 |
| 19 | 750-0566A | 1 | /P | Spacer,.260 x.372 x 1.030 Lg |
| 20 | 712-3017 | 1 | S | Hex Nut 3/8-16 |
| 21 | 714-0104 | 1 | S | Cotter Pin |
| 22 | 714-0111 | 1 | S | Cotter Pin |
| 23 | 725-0157 | 1 | /P | Cable Tie (Not shown) |
| 24 | 725-1644 | 1 | | Switch |
| 25 | 726-0154 | 1 | S | Cable Tie (Not shown) |
| 26 | 726-0320 | 1 | S | Insulator Nut Plate |
| 27 | 731-04682 | 1 | | Sleeve, 0.758 x 0.821 x 1.5 |
| 28 | 731-1449A | 1 | S | Blade Fan |
| 29 | 732-0209 | 1 | S | Extension Spring |
| 30 | 732-0429A | 1 | S | Extension Spring |
| 31 | 732-0716 | 1 | S | Extension Spring |
| 32 | 732-0729 | 1 | /P | Wire Ring |
| 33 | 732-0994 | 1 | | Extension Spring |
| 34 | 732-3118 | 1 | | Extension Spring |
| 35 | 736-0169 | 1 | S | Lock Washer |
| 36 | 736-0866 | 1 | | Flat Washer |
| 37 | 736-0921 | 1 | S | Lock Washer |
| 38 | 736-3010 | 1 | | Flat Washer |
| 39 | 738-0372B | 1 | /P | Shoulder Spacer |
| 40 | 747-04139 | 1 | | Brake Rod |
| 41 | 747-1149 | 1 | | Bypass Rod |
| 42 | 747-1151 | 1 | | Control Rod |
| 43 | 748-0334 | 1 | S | Transaxle Spacer |
| 44 | 731-2290A | 1 | /P | Hub Cap |
| 45 | 754-0461 | 1 | S | V Belt, A x 78" Lg |
| 46 | 756-0116A | 1 | S | Idler Pulley |
| 47 | 756-0981B | 1 | S | Flat Idler Pulley |
| 48 | 756-04111 | 1 | | Input Pulley |
| 49 | 783-04442 | 1 | | Idler Bracket |
| 50 | 783-0810B | 1 | S | Torq Bracket |
| 51 | 783-1019 | 1 | S | Actuator Bracket |
| 52 | 647-0031B | 1 | S | Brake Control Assembly |
| 53 | 647-0049A | 1 | S | Brake Control Assembly |

13A4616G790 LT-942H (2005)
Drive & Rear Wheels

Page 8 of 27

| Ref # | Part Number | Qty | S/P/F | Description |
|-------|-------------|-----|-------|---------------------------------|
| 54 | 683-0267C | 1 | /P | Pedal Assembly |
| 55 | 710-0650 | 1 | /P | TT Screw 5/16-18 x 0.875 |
| 56 | 736-0187 | 1 | /P | Flat Washer, .64 x 1.24 x .06 |
| 57 | 710-1260A | 1 | /P | LD Screw 5/16-18 x 0.75 |
| 58 | 710-1611B | 1 | /P | TT Screw 5/16-18 x 0.75 |
| 59 | 711-04159B | 1 | | Pin |
| 60 | 712-04065 | 1 | /P | Flange Lock Nut, 3/8-16 |
| 61 | 712-3004A | 1 | /P | Flange Lock Nut, 5/16-18 |
| 62 | 714-0104 | 1 | S | Cotter Pin |
| 63 | 714-0111 | 1 | S | Cotter Pin |
| 64 | 732-0335 | 1 | | Compression Spring |
| 65 | 732-0955 | 1 | | Extension Spring |
| 66 | 732-0963 | 1 | | Extension Spring |
| 67 | 735-0662 | 1 | | Control Pedal |
| 68 | 735-3049 | 1 | S | Brake Control Pedal |
| 69 | 736-3008 | 1 | S | Flat Washer |
| 70 | 738-0155 | 1 | S | Shoulder Screw |
| 71 | 738-0380 | 1 | S | Shoulder Screw |
| 72 | 741-0225 | 1 | S | Hex Flange Bearing |
| 73 | 741-3065B | 1 | /P | Hex Flange Bearing |
| 74 | 747-04093 | 1 | | Brake Lock Control Rod |
| 75 | 747-04096 | 1 | | Cruise Control Rod |
| 76 | 748-04039B | 1 | /P | Cruise Latch |
| 77 | 783-04612 | 1 | S | Steering Support Bracket |
| 78 | 683-04185 | 1 | | Lockout Bracket |
| 79 | 783-0773A | 1 | | Brake Pedal |
| 80 | 710-0224 | 1 | S | Screw, #10-16 x .500 |
| 81 | 17962 | 1 | | Switch Plate |
| 82 | 725-04039 | 1 | S | Interlock Switch |
| 83 | 783-04707 | 1 | | Parking Brake Switch Bracket |
| 84 | 736-0430 | 1 | /P | Flat Washer, .350 x 1.59 x .062 |
| 85 | 736-0242 | 1 | /P | Bell Washer, .340 x .872 x .060 |
| 86 | 710-0627 | 1 | /P | Screw, 5/16-24 x .750 |
| 87 | 634-0177 | 1 | /P | Wheel Complete, 20 x 10 x 8 |
| | 734-1873 | 1 | | Tire Only, 20 x 10 x 8 |
| | 634-0070 | 1 | /P | Rim Only |

13A4616G790 LT-942H (2005)
Engine 1



13A4616G790 LT-942H (2005)
Engine 1

Page 10 of 27

| Ref # | Part Number | Qty | S/P/F | Description |
|-------|-------------|-----|-------|--|
| 2 | TC-27652 | 1 | | Dowel Pin |
| 11 | TC-36302 | 1 | | Check Valve |
| 11A | TC-36303 | 1 | | Breather Plate |
| 11B | TC-650902 | 1 | | Screw, 10-32 x 7/16" |
| 14 | TC-37363 | 1 | | Washer |
| 15 | TC-37364 | 1 | | Governor Rod |
| 15B | TC-650738 | 1 | | Screw, 1/4-20 x 5/8" |
| 16 | TC-37413 | 1 | | Governor Lever |
| 16A | TC-37414 | 1 | | Governor Spring Bracket |
| 17C | TC-37429 | 1 | | Breather Tube Clamp |
| 30 | TC-37371 | 1 | S | Crankshaft |
| 35 | TC-651069 | 1 | | Screw, Carriage 1/4-20 x 1-1/2" |
| 37 | TC-650456 | 1 | | Lock Nut, 1/4-20 |
| 38 | TC-37365 | 1 | | Retaining Ring |
| 40 | TC-40040 | 1 | | Piston, Pin & Ring Set (Std.) |
| 40 | TC-40041 | 1 | | Piston, Pin & Ring Set (.010"OS) |
| 41 | TC-40038 | 1 | | Piston & Pin Ass'y. (Std.) (Incl. 43) |
| 41 | TC-40039 | 1 | | Piston & Pin Ass'y. (.010"OS) (Incl. 43) |
| 42 | TC-40013 | 1 | | Ring Set (Std.) |
| 42 | TC-40014 | 1 | | Ring Set (.010"OS) |
| 43 | TC-27888 | 1 | | Piston Pin Retaining Ring |
| 45 | TC-37372 | 1 | | Connecting Rod Ass'y. (Incl. 46) |
| 46 | TC-651063 | 1 | | Connecting Rod Bolt |
| 48 | TC-37373 | 1 | | Valve Lifter |
| 50 | TC-37374 | 1 | S | Camshaft (MCR) |
| 52 | TC-37305 | 1 | | Oil Pump Ass'y. |
| 52A | TC-37382 | 1 | | Oil Pump Shaft |
| 52B | TC-36333 | 1 | | "O" Ring |
| 52C | TC-36334 | 1 | | Oil Pump Cover (Incl. 52B) |
| 52D | TC-650888 | 1 | | Screw, T-30 1/4-20 x 43/64" |
| 52E | TC-37383 | 1 | | Oil Pump Gear |
| 52F | TC-37384 | 1 | | Oil Pump Gear Retaining Ring |
| 60A | TC-650773 | 1 | | Screw, 1/4-20 x 1/2" |
| 69 | TC-37377 | 1 | /P | Mounting Flange Gasket |
| 70 | TC-37378 | 1 | | Mounting Flange (Incl. 72,72A,75,80,381-387) |
| 72C | TC-37651 | 1 | | Oil Drain Valve |
| 75 | TC-36301 | 1 | /P | Oil Seal (1 in Ref 1, 1 in Ref 70) |
| 75A | TC-37369 | 1 | | Oil Seal (Governor Shaft) |
| 80 | TC-37379 | 1 | | Governor Shaft |
| 81 | TC-37381 | 1 | | Washer (Governor Shaft) |
| 82 | TC-37380 | 1 | | Governor Gear Ass'y. |
| 83 | TC-35322 | 1 | | Governor Spool |
| 84 | TC-29193 | 1 | | Retaining Ring |
| 86 | TC-651064 | 1 | | Screw, 5/16-18 x 1-15/32" |
| 89 | TC-650592 | 1 | | Flywheel Key |
| 90 | TC-611254 | 1 | | Flywheel (Incl. 91 & 91A) |
| 91 | TC-611241 | 1 | S | Flywheel Fan |
| 91A | TC-611242 | 1 | | Flywheel Retainer |
| 92 | TC-651082 | 1 | | Belleville Washer |
| 93 | TC-650594 | 1 | | Flywheel Nut |
| 100 | TC-37395 | 1 | /P | Solid State Ignition (Incl. 101) |

13A4616G790 LT-942H (2005)
Engine 1

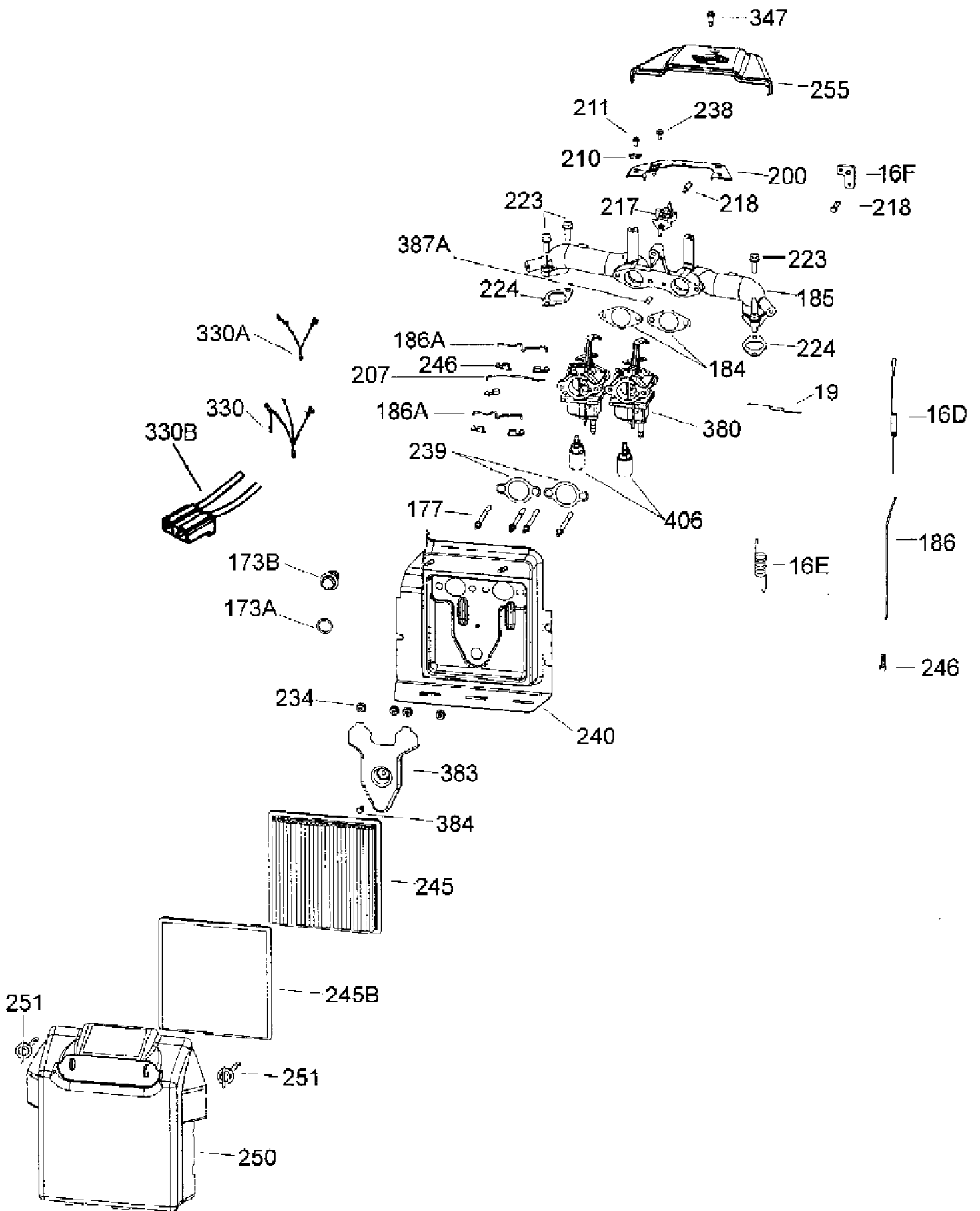
Page 11 of 27

| Ref # | Part Number | Qty | S/P/F | Description |
|-------|-------------|-----|-------|--------------------------------------|
| 101 | TC-610118 | 1 | | Spark Plug Cover |
| 102 | TC-651024 | 1 | | Solid State Mounting Stud |
| 103 | TC-651007 | 1 | | Screw, T-15 10-24 x 15/16" |
| 119 | TC-37388 | 1 | | Cylinder Head Gasket |
| 120 | TC-37387 | 1 | | Cylinder Head, Opp. Breather Side |
| 120A | TC-37389 | 1 | | Cylinder Head, Breather Side |
| 125 | TC-36934 | 1 | | Exhaust Valve (Std.) |
| 126 | TC-36935 | 1 | | Intake Valve (Std) |
| 127 | TC-650691 | 1 | | Flat Washer |
| 128 | TC-650690 | 1 | | Belleville Washer |
| 130 | TC-650697A | 1 | | Screw, 5/16-18 x 2-1/2"(Head Mount) |
| 135 | TC-34645 | 1 | /P | Spark Plug (RN4C) |
| 150 | TC-33507 | 1 | | Valve Spring |
| 151 | TC-33508 | 1 | | Valve Keeper Retainer & Cap Set |
| 151A | TC-35862 | 1 | | Valve Seal |
| 153 | TC-37390 | 1 | | Push Rod Guide |
| 154 | TC-650945 | 1 | | Rocker Arm Stud |
| 155 | TC-35950 | 1 | | Rocker Arm |
| 158 | TC-37391 | 1 | /P | Push Rod |
| 159 | TC-35952 | 1 | /P | Rocker Arm Cover Gasket |
| 160 | TC-35953A | 1 | | Rocker Arm Cover, Opp. Breather Side |
| 160A | TC-37392 | 1 | | Rocker Arm Cover, Breather Side |
| 161 | TC-30063 | 1 | | Screw, T-30 1/4-20 x 1/2" |
| 161A | TC-651034 | 1 | | Stud, Valve Cover Mounting |
| 162 | TC-650947 | 1 | | Rocker Arm Jam Nut, 5/16-24 |
| 163 | TC-650890 | 1 | | Internal Lock Washer, 5/16" |
| 169 | TC-37367 | 1 | | Valve Cover Gasket |
| 171 | TC-37366 | 1 | | Breather Element |
| 172 | TC-37368 | 1 | | Valve Cover |
| 173 | TC-37393 | 1 | S | Breather Tube |
| 212 | TC-37370 | 1 | | Bushing |
| 253 | TC-37376 | 1 | | Compression Release Weight |
| 253A | TC-37424 | 1 | | Compression Release Pin |
| 254 | TC-37375 | 1 | | Compression Release Spring |
| 260 | TC-37398 | 1 | | Blower Housing (Red) |
| 261 | TC-650737 | 1 | | Screw, 1/4-20 x 1/2" |
| 265 | TC-37627 | 1 | | Cylinder Head Cover, Opp. Breather |
| 265A | TC-37628 | 1 | | Cylinder Head Cover, Breather Side |
| 270A | TC-35829A | 1 | | Exhaust Port Liner |
| 286 | TC-37394 | 1 | | Flywheel Screen |
| 287 | TC-651066 | 1 | | Screw, T-20 8-18 x 1-15/32" |
| 290 | TC-30962 | 1 | | Fuel Line (16.75") |
| 291 | TC-29774 | 1 | | Fuel Line (8-1/4") |
| 291A | TC-29774 | 1 | | Fuel Line (8-1/4") |
| 291C | TC-34357 | 1 | | Fuel Line (6.75") |
| 292 | TC-26460 | 1 | /P | Fuel Line Clamp |
| 292A | TC-37399 | 1 | S | Fuel Line Retainer |
| 293 | TC-35787 | 1 | S | Pulse Pump |
| 293A | TC-650931 | 1 | | Screw, 8-32 x 1-1/2" |
| 295A | TC-37422 | 1 | S | Fuel Fitting |
| 296 | TC-37768 | 1 | /P | Fuel Filter (Incl. 292) |
| 303 | TC-32958 | 1 | | Pulse Pump/Fuel Fitting |
| 305 | TC-36349 | 1 | | Fuel Fitting |

13A4616G790 LT-942H (2005)
Engine 1

Page 12 of 27

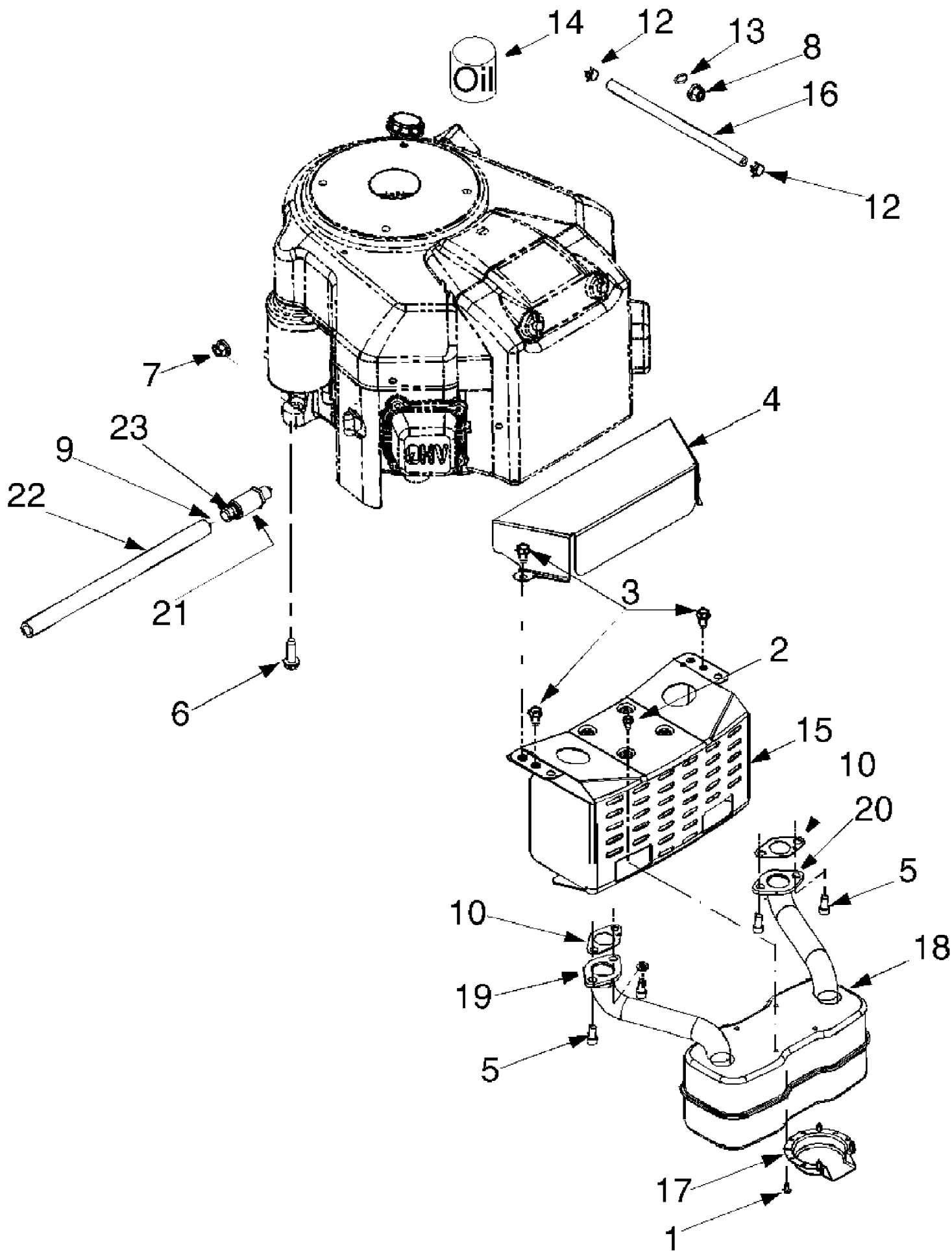
| Ref # | Part Number | Qty | S/P/F | Description |
|-------|-------------|-----|-------|---|
| 306 | TC-37401 | 1 | | O-Ring (Oil Fill, Bottom) |
| 307 | TC-35499 | 1 | /P | O-Ring Oil Fill, Top) |
| 309 | TC-650974 | 1 | | Screw, 1/4-20 x 57/64" |
| 310 | TC-37421 | 1 | | Dipstick |
| 313A | TC-36674 | 1 | | Spacer |
| 314 | TC-651007 | 1 | | Screw, T-15, 10-24 x 15/16" |
| 315 | TC-611292 | 1 | | Alternator Coil (16 Amp) (Incl. 322-323B) |
| 319 | TC-651015 | 1 | | Screw, 1/4-20 x 1-1/8" |
| 320 | TC-611184 | 1 | /P | Regulator (16 Amp) |
| 322 | TC-611281 | 1 | | Connector Body |
| 323 | TC-611276 | 1 | | Terminal |
| 323A | TC-611277 | 1 | | Terminal |
| 323B | TC-611282 | 1 | | Terminal |
| 325 | TC-36342 | 1 | | Wire Clip |
| 342 | TC-651031 | 1 | | Screw, 1/4-20 x 9/16" (Ref. 240 & 265) |
| 346 | TC-36413 | 1 | | Fuel Pump Bracket |
| 361 | TC-651065 | 1 | | Screw, 5/16-18 x 2-3/8" |
| 370A | TC-35274 | 1 | | Lubrication Decal |
| 381 | TC-650767 | 1 | | Screw, 8-32 x 27/64" |
| 382 | TC-36931 | 1 | | Oil Strainer Screen |
| 385 | TC-570673 | 1 | | Ball |
| 386 | TC-36329 | 1 | | Pressure Release Spring |
| 387 | TC-37652 | 1 | | Cotter Pin |
| 395 | TC-37284 | 1 | /P | Electric Starter Motor (12 Volt) |
| 400 | TC-37423 | 1 | | Gasket Set |
| 428 | TC-37362 | 1 | | Spacer |
| 475 | TC-36563 | 1 | /P | Oil Filter |
| 476 | TC-36929 | 1 | /P | Oil Filter Adaptor (Incl. 479) |
| 477 | TC-650378 | 1 | | Screw, T-30 5/16-18 x 1 3/32" |
| 479 | TC-36930 | 1 | | Oil Filter Adaptor Gasket |
| 483 | TC-37629 | 1 | | Cylinder Wrap Spacer |



13A4616G790 LT-942H (2005)
Engine 2

Page 14 of 27

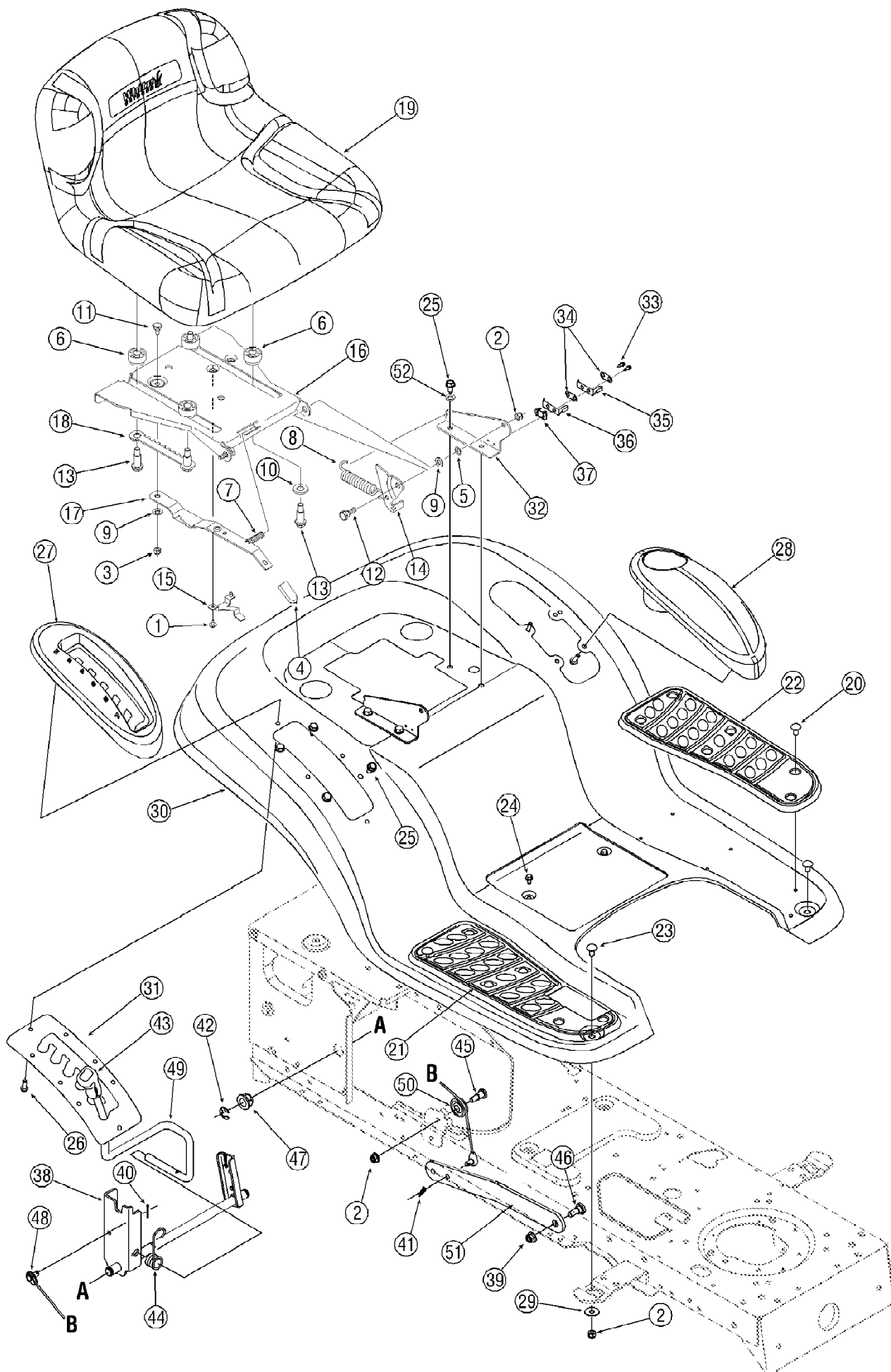
| Ref # | Part Number | Qty | S/P/F | Description |
|-------|-------------|-----|-------|-------------------------------------|
| 16D | TC-37415 | 1 | | Governor Spring, Hi-speed |
| 16E | TC-37417 | 1 | | Governor Idle Spring |
| 16F | TC-37418 | 1 | | Bell Crank Lever |
| 19 | TC-37416 | 1 | | Throttle Spring |
| 72C | TC-37651 | 1 | | Oil Drain Valve |
| 173A | TC-37410 | 1 | | Breather Tube Grommet |
| 173B | TC-37409 | 1 | | Breather Tube Fitting |
| 177 | TC-651067 | 1 | | Carburetor Mounting Stud |
| 184 | TC-36352 | 1 | /P | Carburetor to Intake Pipe Gasket |
| 185 | TC-37396 | 1 | | Intake Pipe (Incl. 387A) |
| 186 | TC-37404 | 1 | | Governor Link |
| 186A | TC-37405 | 1 | | Choke Link |
| 200 | TC-37400 | 1 | | Control Bracket |
| 207 | TC-37406 | 1 | | Throttle Link |
| 210 | TC-27793 | 1 | /P | Conduit Clip |
| 211 | TC-28942 | 1 | /P | Screw, 10-32 x 3/8" |
| 217 | TC-37419 | 1 | | Control Lever |
| 218 | TC-651070 | 1 | | Screw, 10-32 x 1-1/4" |
| 223 | TC-650971 | 1 | | Screw, T-30 5/16-18 x 7/8" |
| 224 | TC-33515A | 1 | | Intake Pipe Gasket (Pipe to Head) |
| 234 | TC-650928 | 1 | | Lock Nut, 1/4-20 |
| 238 | TC-650902 | 1 | | Screw, 10-32 x 7/16" |
| 239 | TC-36358 | 1 | /P | Air Cleaner Gasket |
| 240 | TC-37691 | 1 | | Air Cleaner Body Ass'y. (Incl. 239) |
| 245 | TC-37360 | 1 | /P | Air Cleaner Filter (Paper) |
| 245B | TC-37361 | 1 | /P | Air Cleaner Pre-Filter (Poly) |
| 246 | TC-37407 | 1 | /P | Connector Bushing Link |
| 250 | TC-37690 | 1 | | Air Cleaner Cover |
| 251 | TC-37689 | 1 | /P | Wing Nut, 1/4-20 x 1-19/32" |
| 255 | TC-37420 | 1 | | Control Cover |
| 313A | TC-36674 | 1 | | Spacer |
| 314 | TC-651007 | 1 | | Screw, T-15, 10-24 x 15/16" |
| 319 | TC-651015 | 1 | | Screw, 1/4-20 x 1-1/8" |
| 320 | TC-611184 | 1 | /P | Regulator (16 Amp) |
| 323A | TC-611277 | 1 | | Terminal |
| 323B | TC-611282 | 1 | | Terminal |
| 330 | TC-37739 | 1 | | Fuel Solenoid Wire Assembly (R & G) |
| 330A | TC-37403 | 1 | | Fuel Solenoid Wire Assembly (Black) |
| 347 | TC-650898A | 1 | | Screw, 10-32 x 27/32" |
| 380 | TC-640221 | 1 | /P | Carburetor (Incl. 184 & 428) |
| 383 | TC-37411 | 1 | | Carburetor Baffle |
| 384 | TC-30200 | 1 | /P | Screw, 10-24 x 9/16" Self Tap |
| 387A | TC-37397 | 1 | | Roll Pin |
| 406 | TC-611221 | 1 | /P | Fuel Shut-Off Solenoid |



13A4616G790 LT-942H (2005)
Engine Accessories

Page 16 of 27

| Ref # | Part Number | Qty | S/P/F | Description |
|-------|-------------|-----|-------|--------------------------------|
| 1 | 710-0227 | 1 | /P | AB Screw 38-18 x 0.5 |
| 2 | 710-0599 | 1 | /P | TT Screw 1/4-20 x 0.5 |
| 3 | 710-0726 | 1 | /P | AB Screw 5/16-20 x 0.75 |
| 4 | 783-0625C | 1 | /P | Heat Shield |
| 5 | 710-1314A | 1 | /P | Socket Hd. Scr. 5/16-18 x 0.75 |
| 6 | 710-1315 | 1 | /P | TT Screw 3/8-16 x 1.25 |
| 7 | 712-0271 | 1 | /P | Sems Nut |
| 8 | 712-3017 | 1 | S | Hex Nut |
| 9 | 721-0331 | 1 | | Pipe Sealant |
| 10 | 721-0460 | 1 | | Exhaust Gasket |
| 11 | 725-0157 | 1 | /P | Cable Tie (Not Shown) |
| 12 | 726-0205 | 1 | /P | Hose Clamp |
| 13 | 736-0300 | 1 | S | Flat Washer |
| 14 | 737-0169 | 1 | | Oil: SAE 30W |
| 15 | 783-0615D | 1 | S | Muffler Bracket |
| 16 | 751-0535 | 1 | | Fuel Line Hose |
| 17 | 751-0564A | 1 | S | Deflector: Muffler |
| 18 | 751-0616A | 1 | S | Dual Inlet Muffler |
| 19 | 751-0814A | 1 | /P | Exhaust Pipe RH |
| 20 | 751-0813A | 1 | /P | Exhaust Pipe LH |
| 21 | 751-3140 | 1 | S | Oil Drain |
| 22 | 751-3141 | 1 | S | Oil Drain Extension Hose |
| 23 | 751-3142 | 1 | | Oil Drain Cap |



13A4616G790 LT-942H (2005)
Fender & Seat

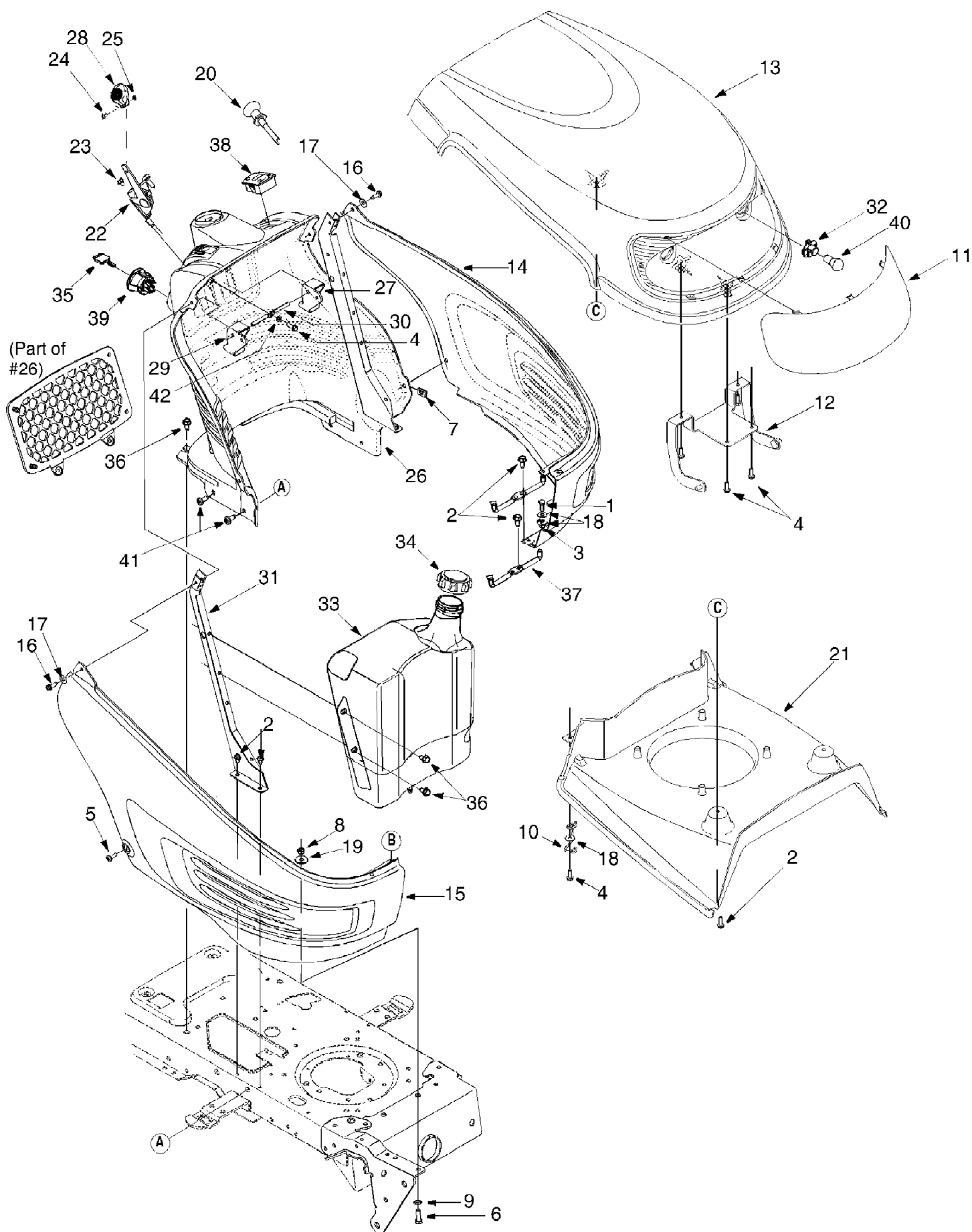
Page 18 of 27

| Ref # | Part Number | Qty | S/P/F | Description |
|-------|-------------|-----|-------|--|
| 1 | 710-1268 | 1 | /P | Screw, #10-16 x.375 |
| 2 | 712-04063 | 1 | /P | Nut, Flange Lock, 5/16-18, Gr F, Nylon |
| 3 | 712-3027 | 1 | S | Nut, Flange Lock, 1/4-20 |
| 4 | 720-0309A | 1 | /P | Seat Adjuster Grip |
| 5 | 726-0201 | 1 | | Nut, Speed,.3125 ID |
| 6 | 731-04074 | 1 | | Spacer |
| 7 | 732-0499 | 1 | | Compression Spring,.41 x 1.5 |
| 8 | 732-1184 | 1 | /P | Spring, Extension,.84 Dia. x 4.6 |
| 9 | 736-0275 | 1 | S | Wash, Flat,.344 x.688 x.065 |
| 10 | 736-3019 | 1 | | Wash, Flat,.531x 1.062 x.134 |
| 11 | 738-0137A | 1 | S | Screw, Shoulder,.340 x.285,1/4-20 |
| 12 | 738-0296 | 1 | S | Screw, Shoulder,.437 x.268, 5/16-18 |
| 13 | 738-0966 | 1 | S | Screw, Shoulder,.50 x.925, 3/8-16 |
| 14 | 783-0209C | 1 | S | Seat Bracket, Lift |
| 15 | 783-0611 | 1 | | Seat Stop |
| 16 | 783-0738B | 1 | S | Seat Pivot Bracket |
| 17 | 783-0739A | 1 | S | Seat Adjustment Lever |
| 18 | 783-0753 | 1 | | Seat Adjustment Selector |
| 19 | 757-04014A | 1 | S | Medium Back Seat, Black |
| 20 | 726-3046 | 1 | /P | Ratchet Clip |
| 21 | 735-0656 | 1 | | RH Foot Pad, Rubber |
| 22 | 735-0657 | 1 | | LH Foot Pad, Rubber |
| 23 | 710-0260A | 1 | /P | Bolt, Carriage, 5/16-18,.62, Gr1 |
| 24 | 710-0599 | 1 | /P | Screw, 1/4-20, 0.500 |
| 25 | 710-0726 | 1 | /P | Screw, 5/16-12, 0.750 |
| 26 | 710-0895 | 1 | | Screw, 1/4-15, 0.750 |
| 27 | 731-1990 | 1 | | Cover, Lift Lever |
| 28 | 731-1993A | 1 | | Cover, w/ Cup Holder |
| 29 | 736-3078 | 1 | /P | Washer, Flat,.344 x 1.0 x.063 |
| 30 | 783-04333A | 1 | | Fender |
| 31 | 783-0677 | 1 | S | Adjustment Bracket, Lift |
| 32 | 783-1489A | 1 | /P | Mounting Bracket, Seat |
| 33 | 710-0227 | 1 | /P | Screw, #8-18 x.50 |
| 34 | 726-0279 | 1 | | Plate, Insulator |
| 35 | 725-1303 | 1 | S | Spring Switch, Outer |
| 36 | 725-1439 | 1 | | Spring Switch, Inner |
| 37 | 726-0278 | 1 | | Plate, Insulator Boss |
| 38 | 753-06260 | 1 | /P | Shaft Assembly, Lift Service Kit Replaces 683-04079 |
| 39 | 712-04065 | 1 | /P | Nut, Flange Lock, 3/8-16, Gr F, Nylon |
| 40 | 714-0104 | 1 | S | Pin, Cotter,.072 Dia. x 1.13 |
| 41 | 714-0111 | 1 | S | Pin, Cotter, 3/32, 1.0 |
| 42 | 716-0106A | 1 | | Ring, E Type,.625 Dia. |
| 43 | 720-0311 | 1 | | Grip, Handle, 1/2 |
| 44 | 732-0874 | 1 | /P | Spring, Torsion |
| 45 | 738-0138A | 1 | /P | Screw, 5/16-18 x.620 Gr2 |
| 46 | 738-04130 | 1 | | Screw, Shld,.625 x.165, 3/8-16 (LT942H) |
| 46 | 738-0380 | 1 | S | Screw, Shld,.50 x.27, 3/8-16 (LT946H) |
| 47 | 741-0225 | 1 | S | Bearing, Hex Flange |
| 48 | 746-0968 | 1 | | Cable, Lift, 16.16 |
| 49 | 747-04155 | 1 | | Handle, Lift |
| 50 | 756-1154 | 1 | | Pulley, Roller |

13A4616G790 LT-942H (2005)
Fender & Seat

Page 19 of 27

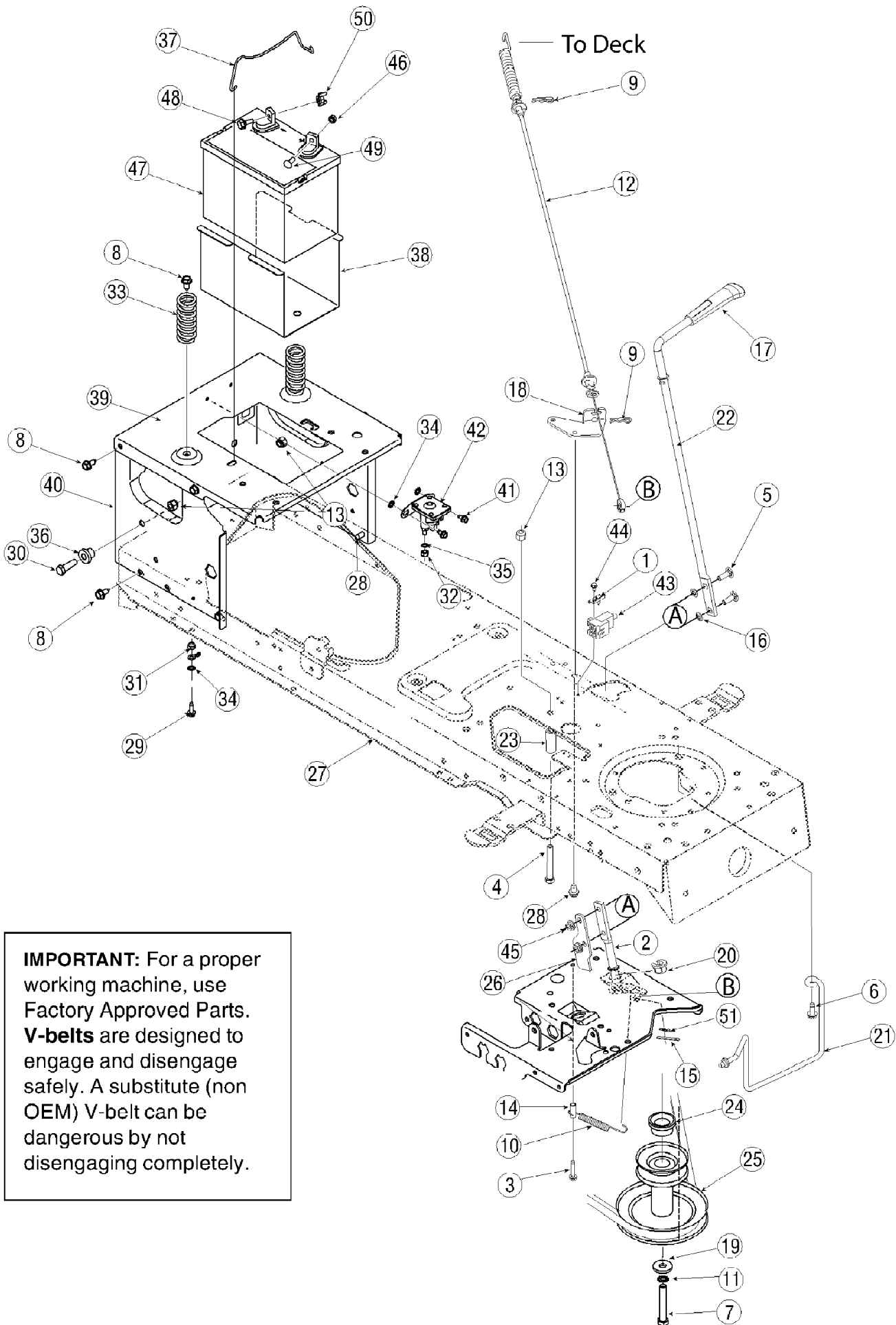
| Ref # | Part Number | Qty | S/P/F | Description |
|-------|-------------|-----|-------|-------------------------|
| 51 | 783-04711 | 1 | | Arm, Lift - LH (LT942H) |
| 51 | 783-04494 | 1 | | Arm, Lift - RH (LT942H) |
| 51 | 783-0678A | 1 | S | Arm, Lift (LT946H) |
| 52 | 736-0607 | 1 | /P | Lock Washer, 5/16 |



13A4616G790 LT-942H (2005)
Hood Assembly

Page 21 of 27

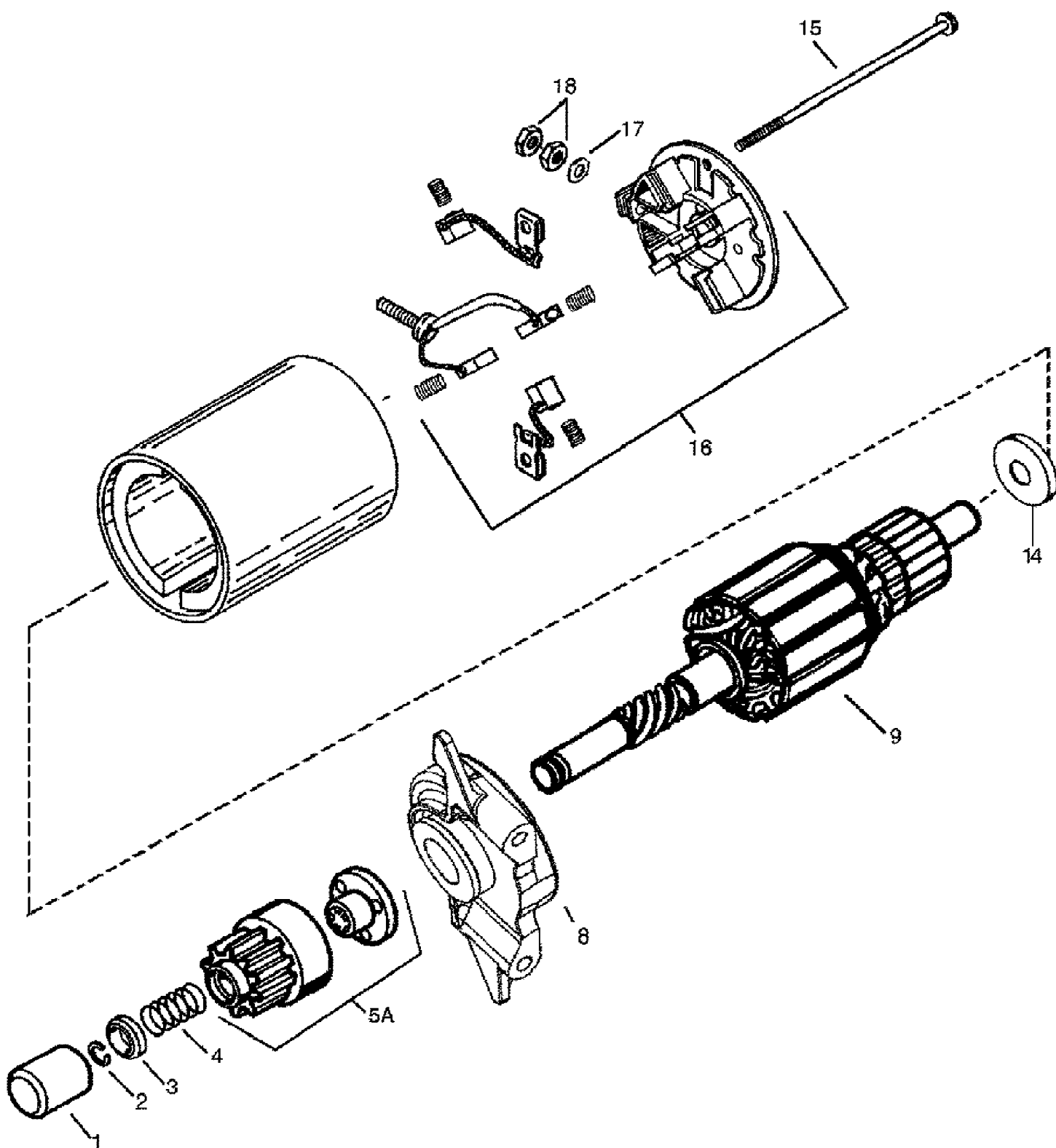
| Ref # | Part Number | Qty | S/P/F | Description |
|-------|-------------|-----|-------|---------------------------------------|
| 1 | 710-3015 | 1 | /P | Hex Cap Screw, 1/4-20 x.75 |
| 2 | 710-0599 | 1 | /P | Self-tapping Screw, 1/4-20 x.5 |
| 3 | 712-04064 | 1 | /P | Flange Lock Nut, 1/4-20 |
| 4 | 710-0895 | 1 | | Self-tapping Screw, 1/4-15 x.75 |
| 5 | 710-0924 | 1 | /P | Pan Phillips Screw, 1/4-20 x.75 |
| 6 | 710-0376 | 1 | /P | Hex Cap Screw, 5/16-18 x 1.0 |
| 7 | 712-0292 | 1 | /P | U-type Speed Nut, 1/4-20 |
| 8 | 712-04063 | 1 | /P | Flange Lock Nut, 5/16-18 |
| 9 | 726-0201 | 1 | | Speed Nut |
| 10 | 747-2127 | 1 | | Hood Latch Rod |
| 11 | 731-2286 | 1 | S | Head Light Lens |
| 12 | 683-0305 | 1 | S | Hood Bracket Assembly |
| 13 | 731-2283A | 1 | S | Hood |
| 14 | 731-2307B | 1 | S | LH Side Panel |
| 15 | 731-2308B | 1 | S | RH Side Panel |
| 16 | 710-0642 | 1 | /P | Screw, 1/4-20 x.750 |
| 17 | 736-0342 | 1 | | Flat Washer,.283 x.75 x.030 |
| 18 | 736-0173 | 1 | /P | Flat Washer,.28 x.74 x.063 |
| 19 | 736-3078 | 1 | /P | Flat Washer,.349 x 1.0 x.063 |
| 20 | 746-1085A | 1 | S | Choke Control |
| 21 | 731-2284 | 1 | | Hood Plenum w/o Intake Bellow |
| 22 | 746-1086 | 1 | S | Throttle Control/Cable |
| 23 | 710-1017 | 1 | /P | Torx Self-Tapping Screw, 1/4-14 x.625 |
| 24 | 710-3217 | 1 | /P | Torx Screw, #8-32 x.375 |
| 25 | 712-0142 | 1 | /P | Hex Nut, 8-32 |
| 26 | 631-04151 | 1 | S | Dash Panel, 4-style w/ Cargo Net |
| 27 | 731-04213 | 1 | | Parking Brake Button |
| 28 | 731-1857 | 1 | | Throttle Control Lever |
| 29 | 731-04214 | 1 | | Cruise Control Button |
| 30 | 747-1155 | 1 | | Brake/Cruise Pivot Rod |
| 31 | 783-04285B | 1 | S | Dash Support Plate RH |
| | 783-04323B | 1 | S | Dash Support Plate LH |
| 32 | 725-1649 | 1 | S | Lamp Socket |
| 33 | 751-0658E | 1 | /P | Fuel Tank, 3-gallon |
| 34 | 751-0603 | 1 | S | Fuel Cap |
| 35 | 725-1745 | 1 | S | Ignition Key w/ plastic cover |
| | 725-1744 | 1 | S | Ignition Key w/o plastic cover |
| 36 | 710-0726 | 1 | /P | Self-tapping Screw, 5/16-18 x.75 |
| 37 | 747-04301 | 1 | | Side Panel Support |
| 38 | 725-04036A | 1 | S | Systems Indicator Monitor |
| 39 | 725-04227 | 1 | S | Ignition Switch |
| 40 | 725-0963 | 1 | S | Miniature Lamp, 12V |
| 41 | 710-1611B | 1 | /P | Self-tapping Screw, 5/16-18 x.75 |
| 42 | 736-0142 | 1 | S | Flat Washer |
| | 629-04083 | 1 | S | Headlight Wire Harness |
| | 629-04105 | 1 | | Tractor Wire Harness |
| | 629-04144 | 1 | | Jumper Wire Harness |



13A4616G790 LT-942H (2005)
PTO, Frame & Battery

Page 23 of 27

| Ref # | Part Number | Qty | S/P/F | Description |
|-------|-------------|-----|-------|---------------------------------------|
| 1 | 17962 | 1 | | Plate, Switch |
| 2 | 647-04036 | 1 | S | Lever Assembly, Engagement |
| 3 | 710-0809 | 1 | | Screw, 1/4-20 x 1.250 |
| 4 | 710-0859 | 1 | /P | Screw, 3/8-16, 2.50 |
| 5 | 710-0276 | 1 | /P | Screw, Carriage, 5/16-18, 1.00 |
| 6 | 710-1260A | 1 | /P | Screw, 5/16-18 x.750 |
| 7 | 710-3157A | 1 | /P | Screw, 7/16-20, 3.25, Gr5 |
| 8 | 710-0726 | 1 | /P | Screw, 5/16-12, 0.750 |
| 9 | 714-0145 | 1 | S | Click Pin |
| 10 | 732-04248 | 1 | | Extension Spring,.38OD x 3.9LG |
| 11 | 736-0171 | 1 | S | Lock Washer, 7/16 |
| 12 | 746-04092 | 1 | S | Deck Engagement Cable |
| 13 | 712-04065 | 1 | /P | Nut, Flange Lock, 3/8-16, Gr F, Nylon |
| 14 | 750-0566A | 1 | /P | Spacer,.260 x.372 x 1.030LG |
| 15 | 714-0470 | 1 | S | Pin, Cotter, 1/8 x 1.25 |
| 16 | 726-0201 | 1 | | Nut, Speed,.3125 ID |
| 17 | 731-2111A | 1 | S | Knob, PTO |
| 18 | 783-04590 | 1 | S | Cable Bracket |
| 19 | 736-0322 | 1 | /P | Washer, Flat,.450 x1.250 x.164 |
| 20 | 741-0708 | 1 | | Bearing, Flange, Hex Split.500 ID |
| 21 | 747-04307 | 1 | S | Keeper Rod, Belt |
| 22 | 747-1112D | 1 | S | Engagement Handle, Deck |
| 23 | 748-0415B | 1 | /P | Spacer,.385 ID x.635 OD x 1.54 |
| 24 | 750-0956 | 1 | | Spacer, 1.010 x 1.400 x.825 |
| 25 | 756-04067A | 1 | S | Pulley, Engine, 3.56 x 6.12 Diameter |
| 26 | 783-0744A | 1 | | Stop Bracket, Engagement |
| 27 | 683-04173 | 1 | S | Frame Assembly, Lower |
| 28 | 710-0607 | 1 | /P | Screw, 5/16-18, 0.500 |
| 29 | 710-0642 | 1 | /P | Screw, 1/4-20, 0.750 |
| 30 | 710-3005 | 1 | /P | Screw, 3/8-16, 1.25, Gr5 |
| 31 | 712-04064 | 1 | /P | Nut, Flange Lock, 1/4-20, Gr F, Nylon |
| 32 | 712-3006 | 1 | /P | Nut, Hex, 1/4-20, Gr5 |
| 33 | 732-04035 | 1 | | Spring, Compression, 1.28 OD x 3.125 |
| 34 | 736-0222 | 1 | S | Washer, Lock, 1/4, External |
| 35 | 736-0329 | 1 | S | Washer, Lock, 1/4 |
| 36 | 738-04058 | 1 | | Spacer, Shoulder,.38 x 1.0 x.70 |
| 37 | 747-04121A | 1 | | Hold Rod, Battery |
| 38 | 783-0349 | 1 | | Battery Tray |
| 39 | 783-04329A | 1 | | Seat Bracket, Frame |
| 40 | 783-04375A | 1 | S | Frame, Upper |
| 41 | 710-0599 | 1 | /P | Screw, 1/4-20, 0.50 |
| 42 | 725-1426 | 1 | S | Solenoid, 12V, 100 Amp |
| 43 | 725-04039 | 1 | S | Switch, Interlock |
| 44 | 710-0224 | 1 | S | Screw, #10-16,.50 |
| 45 | 712-3004A | 1 | /P | Nut, Flange, Lock Nut, 5/16-18 |
| 46 | 712-0271 | 1 | /P | Nut, Sems, 1/4-20 |
| 47 | 725-1750A | 1 | S | Battery, 235 CCA |
| 48 | 738-1132 | 1 | | Screw, Shoulder,.250 x.15, 1/4-20 |
| 49 | 710-0703 | 1 | /P | Screw, Carriage, 1/4-20,.75 |
| 50 | 712-3087 | 1 | /P | Nut, Wing, 1/4-20 |
| 51 | 736-0275 | 1 | S | Flat Washer,.344 x.688 x.065 |

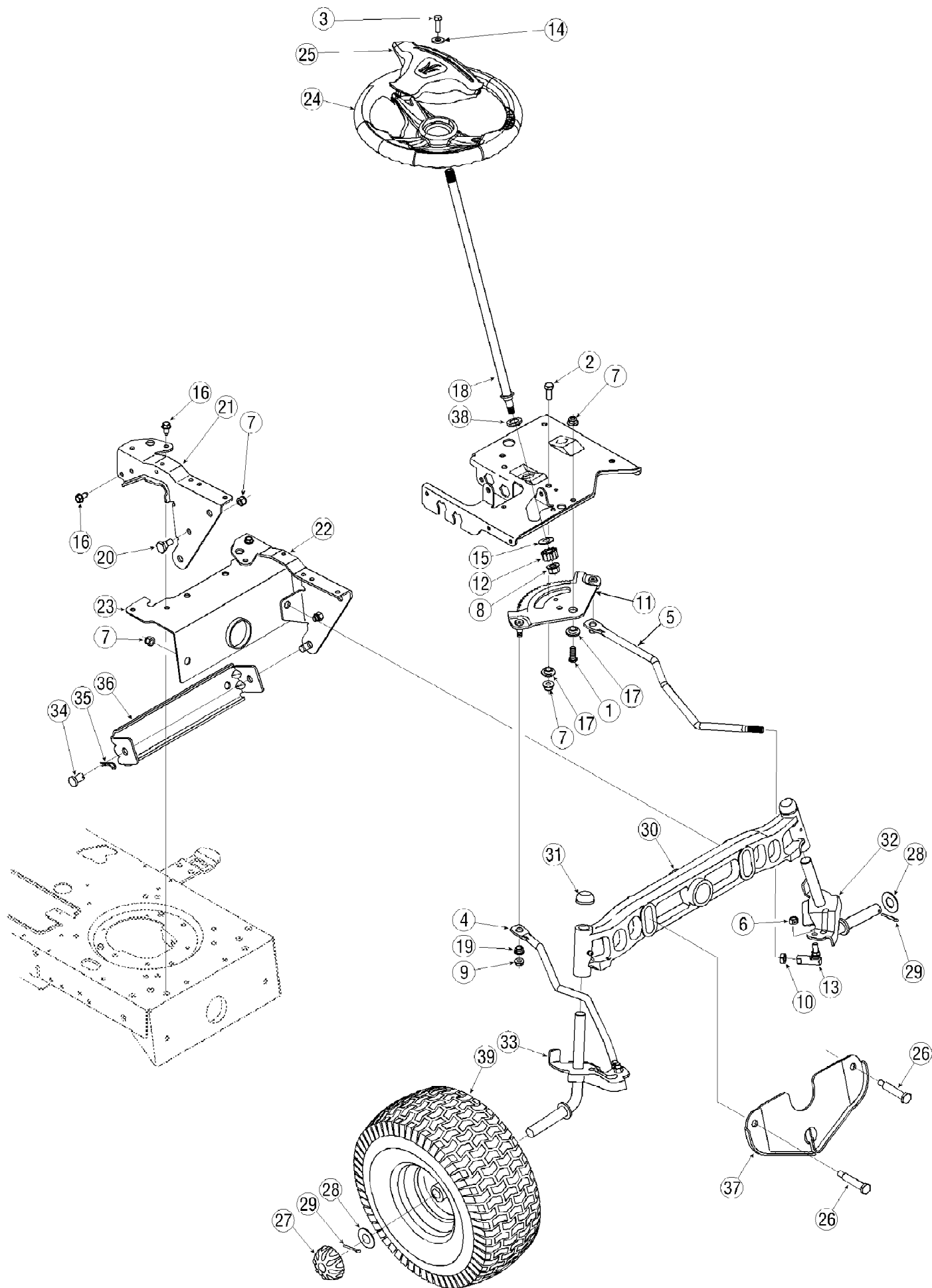


13A4616G790 LT-942H (2005)
Starter

Page 25 of 27

| Ref # | Part Number | Qty | S/P/F | Description |
|-------|-------------|-----|-------|--|
| | TC-37284 | 1 | /P | Electric Starter (12 Volt) |
| 1 | TC-33841 | 1 | | Dust Cover |
| 2 | TC-33842 | 1 | | Retainer Ring |
| 3 | TC-33843 | 1 | | Spring Retainer |
| 4 | TC-33854 | 1 | | Anti-drift Spring |
| 5A | TC-36853 | 1 | | Gear & Nut (Incl. 2) |
| 8 | TC-37354 | 1 | | Drive End Cap Assembly |
| 9 | TC-37355 | 1 | | Armature |
| 14 | TC-35897 | 1 | | Thrust Washer |
| 15 | TC-36856 | 1 | | Case Bolt |
| 16 | TC-37356 | 1 | | End Cap & Brush Card Ass'y (Incl.14,17 & 18) |
| 17 | TC-650168 | 1 | | Washer |
| 18 | TC-650864 | 1 | /P | Nut |

13A4616G790 LT-942H (2005)
Steering, Front Wheels & Axle



13A4616G790 LT-942H (2005)
Steering, Front Wheels & Axle

Page 27 of 27

| Ref # | Part Number | Qty | S/P/F | Description |
|-------|-------------|-----|-------|--|
| 1 | 710-04095 | 1 | | Hex Screw, 3/8-16, 1.00, Gr5 |
| 2 | 710-0514 | 1 | /P | Hex Screw, 3/8-16, 1.00, Gr5 |
| 3 | 710-0643 | 1 | /P | Hex Screw, 5/16-18, 1.00, Gr5 |
| 4 | 711-1408 | 1 | | Link, Drag, RH |
| 5 | 711-1409A | 1 | /P | Link, Drag, LH |
| 6 | 712-0214 | 1 | S | Nut, Hex Lock, 3/8-24 |
| 7 | 712-04065 | 1 | /P | Nut, Flange Lock, 3/8-16, Grf, Nylon |
| 8 | 712-0459 | 1 | /P | Nut, Flange Lock, 7/16-20 |
| 9 | 712-3004A | 1 | /P | Nut, Flange Lock, 5/16-18, Gr5 |
| 10 | 712-0240 | 1 | S | Nut, Jam, 7/16-20, Gr2 |
| 11 | 717-1550E | 1 | S | Gear, Steering, 11/90 Ratio |
| 12 | 717-1554 | 1 | | Gear, Pinion, Steering |
| 13 | 723-0448A | 1 | S | Ball Joint, 7/16-20, Lock |
| 14 | 736-3004 | 1 | S | Washer, Flat,.406 x.875 x.105 |
| 15 | 736-3084 | 1 | /P | Washer, Flat,.51 x 1.12 x.06 |
| 16 | 710-0726 | 1 | /P | Screw, 5/16-12, 0.750 |
| 17 | 738-04154 | 1 | | Spacer, Shoulder,.38 x 1.00 x.31 |
| 18 | 738-1001A | 1 | /P | Shaft, Steering,.625 OD x 24.25 Lg |
| 19 | 741-0475 | 1 | S | Plastic Bushing.380 ID |
| 20 | 738-0143 | 1 | /P | Screw, Shoulder,.498 x.340, 3/8-16 |
| 21 | 783-0726D | 1 | /P | Pivot Bracket, Support RH |
| 22 | 783-0727C | 1 | /P | Pivot Bracket, Support LH |
| 23 | 783-0728 | 1 | | Pivot Bracket, Bar |
| 24 | 631-04008 | 1 | S | Steering Wheel, 3 Spoke, Soft Grip |
| 25 | 731-04065 | 1 | | Steering Wheel Cover |
| 26 | 738-04128 | 1 | | Shlder Screw,.5 x 2.380, 3/8-16 LT942H) |
| 26 | 738-1011A | 1 | /P | Shlder Screw,.5 x 2.2, 3/8-16 LT946H) |
| 27 | 731-2290A | 1 | /P | Deluxe Hub Cap |
| 28 | 736-0316 | 1 | S | Flat Washer,.78 x 1.589 x.06 |
| 29 | 714-04039 | 1 | | Cotter Pin, 5/32 x 1.25 |
| 30 | 719-04105 | 1 | /P | Cast Iron Pivot Bar |
| 31 | 726-0341 | 1 | /P | Push Cap |
| 32 | 638-04006 | 1 | S | LH Axle Assembly,.750 (LT942H) |
| 32 | 638-04003 | 1 | S | LH Axle Assembly,.750 (LT946H) |
| 33 | 638-04005 | 1 | S | RH Axle Assembly,.750 (LT942H) |
| 33 | 638-04004 | 1 | S | RH Axle Assembly,.750 (LT946H) |
| 34 | 711-0332 | 1 | S | Pin, Clevis,.50 x.78 (LT946H) |
| 35 | 714-04023 | 1 | S | Cotter Pin, Inter,.080 x 1.5625 (LT946H) |
| 36 | 783-0720A | 1 | S | Front Adjustment Bracket (LT946H) |
| 37 | 783-04568 | 1 | | Deck Hanger Bracket, Front (LT942H) |
| 38 | 741-0656A | 1 | S | Hex Flange Bearing |
| 39 | 634-04087 | 1 | S | Wheel Assembly Complete, 15 x 6 |
| | 734-04040 | 1 | S | Tire Only 15 x 6 x 6 Not Shown |
| | 634-04081 | 1 | S | Rim Only w/ Valve Stem Not Shown |
| | 741-0516B | 1 | /P | BRG:FLG:.760 X 1.00 X 1.20 LG Not Shown |
| | 741-0990B | 1 | /P | BRG:FLG:.760 ID W/GREASE FTG Not Shown |